

ACCESSORI POMPE E MOTORI PUMPS AND MOTORS ACCESSORIES



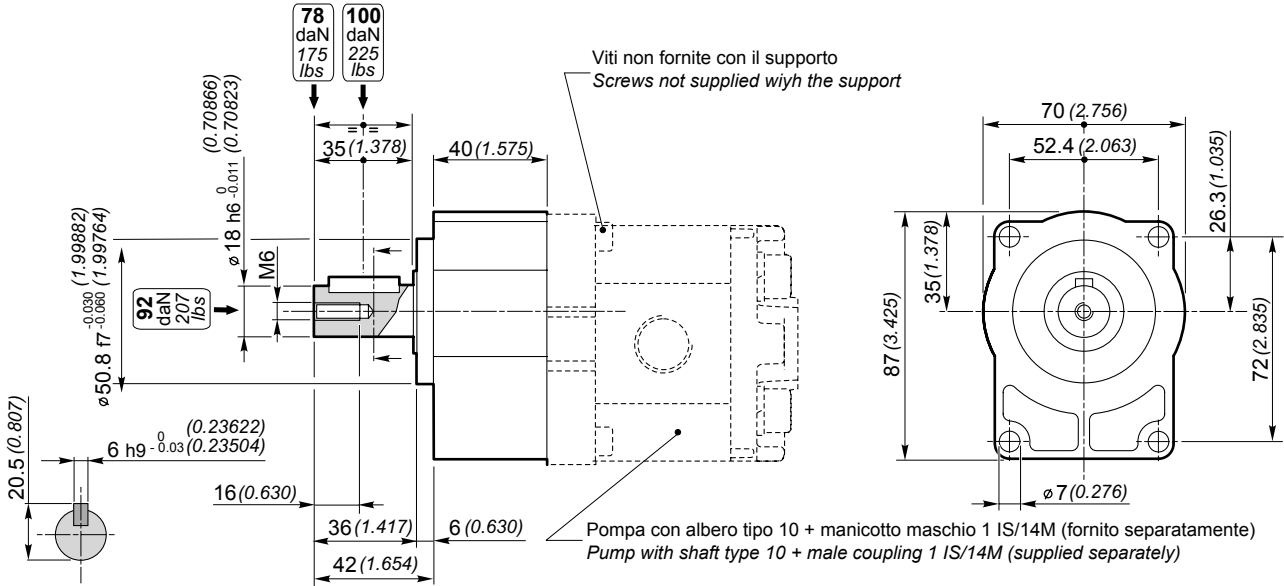
Pag.
Page

SUPPORTI GRUPPO SUPPORTS GROUP	1	D-2
SUPPORTI GRUPPO SUPPORTS GROUP	2	D-3
SUPPORTI GRUPPO SUPPORTS GROUP	3	D-5
RACCORDI CONNECTORS		D-6
MANICOTTI DI TRASCINAMENTO MALES COUPLING		D-8

SUPPORTI GRUPPO
SUPPORTS GROUP

1

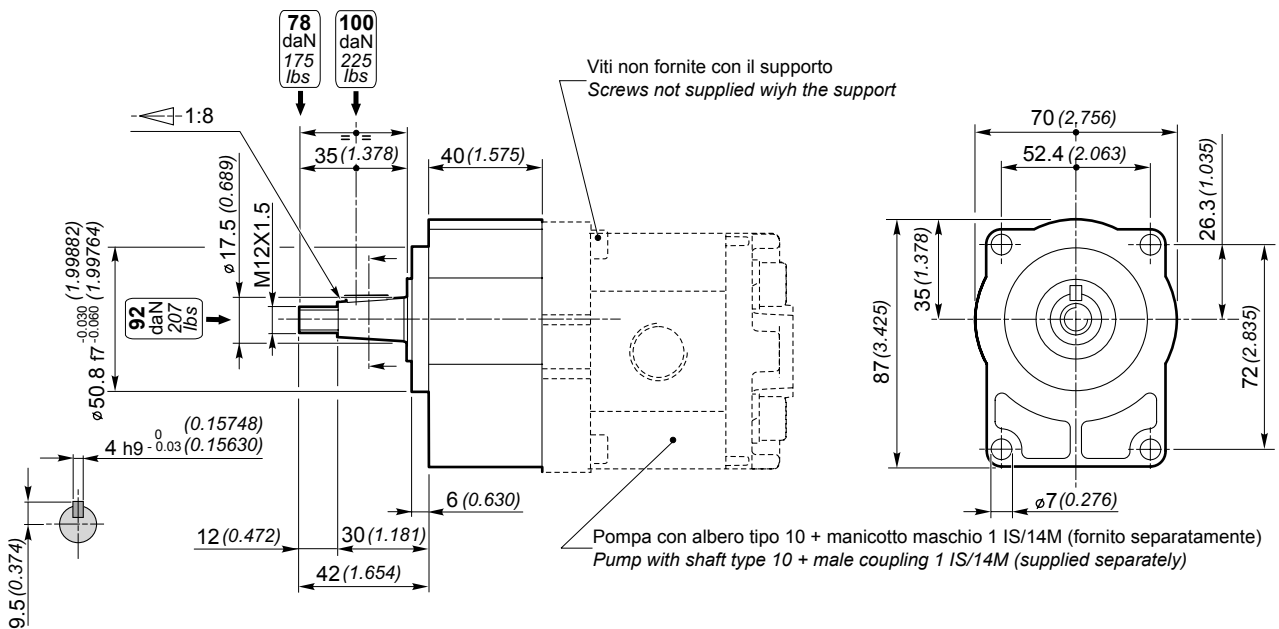
SUPPORTO CON ALBERO TIPO 12 / SUPPORT WITH SHAFT TYPE 12



Codice di ordinazione / Order code

01510400000000

SUPPORTO CON ALBERO TIPO 10 / SUPPORT WITH SHAFT TYPE 10



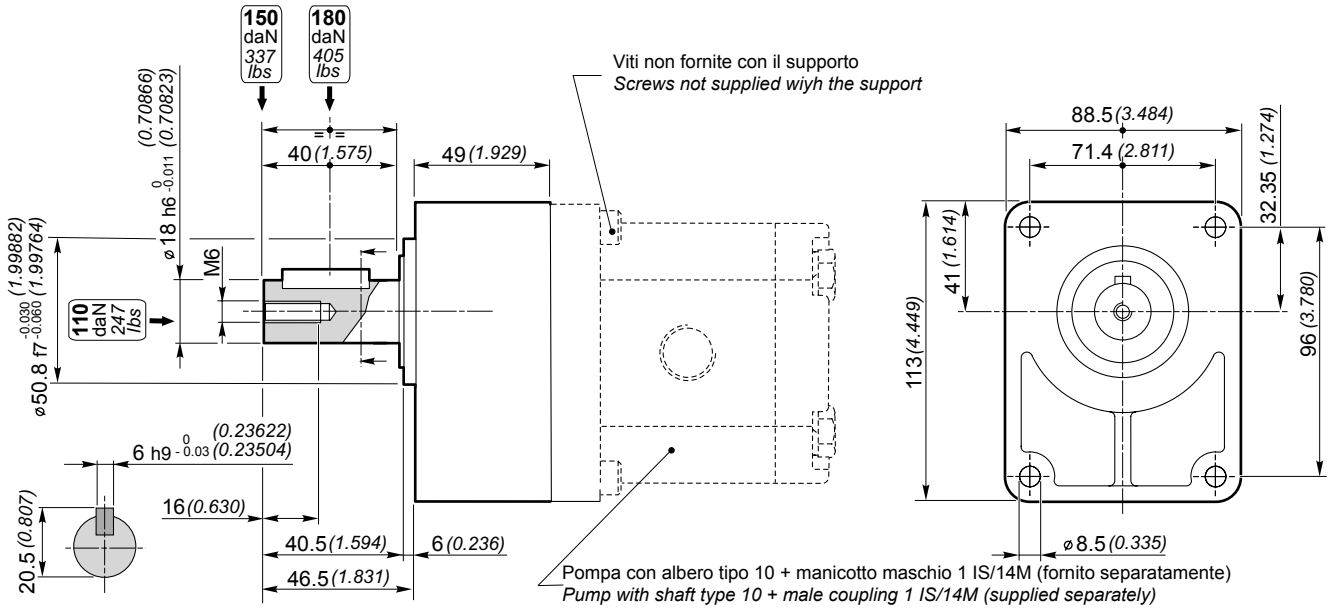
Codice di ordinazione / Order code

01510500000000

SUPPORTI GRUPPO
SUPPORTS GROUP

2

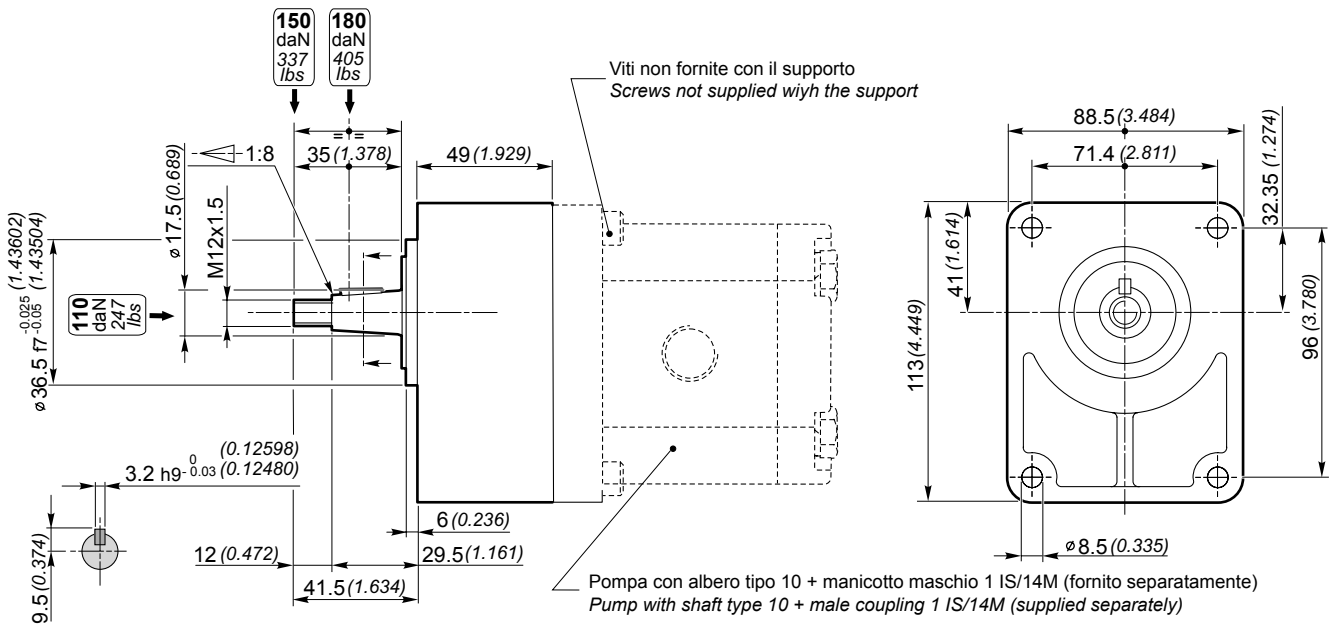
SUPPORTO CON ALBERO TIPO 12 / SUPPORT WITH SHAFT TYPE 12



Codice di ordinazione / Order code

01521200000000

SUPPORTO CON ALBERO TIPO 10 / SUPPORT WITH SHAFT TYPE 10



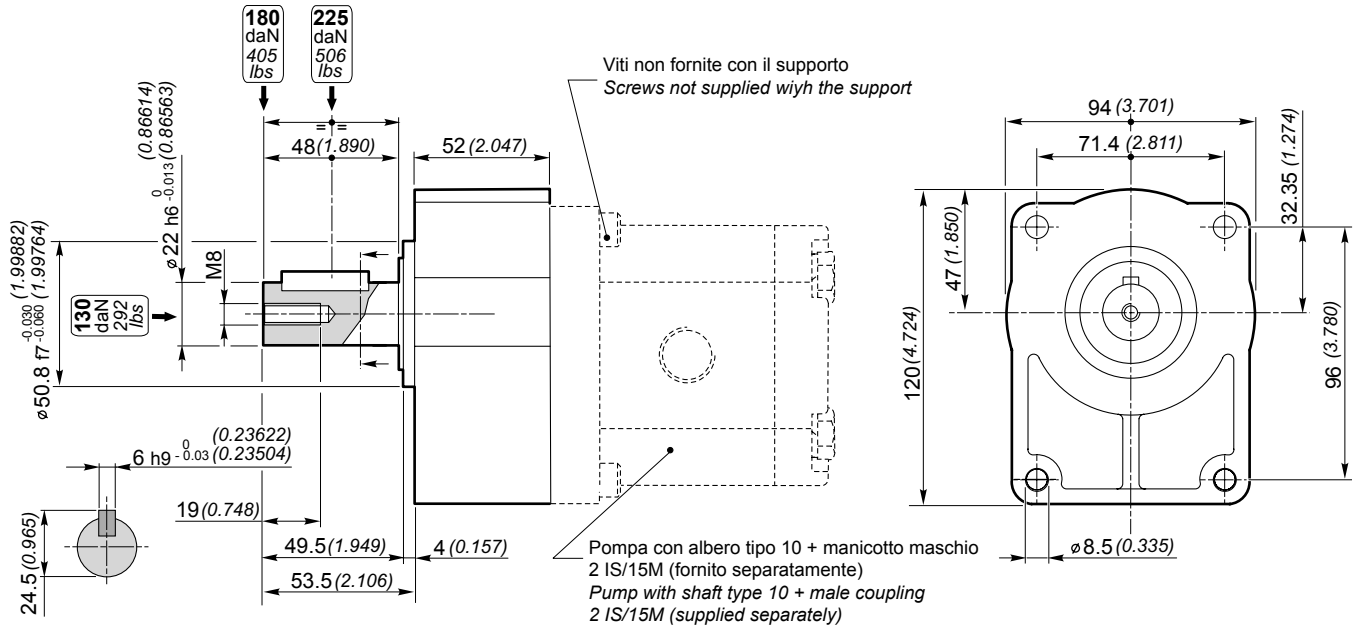
Codice di ordinazione / Order code

01521201000000

SUPPORTI GRUPPO
SUPPORTS GROUP

2

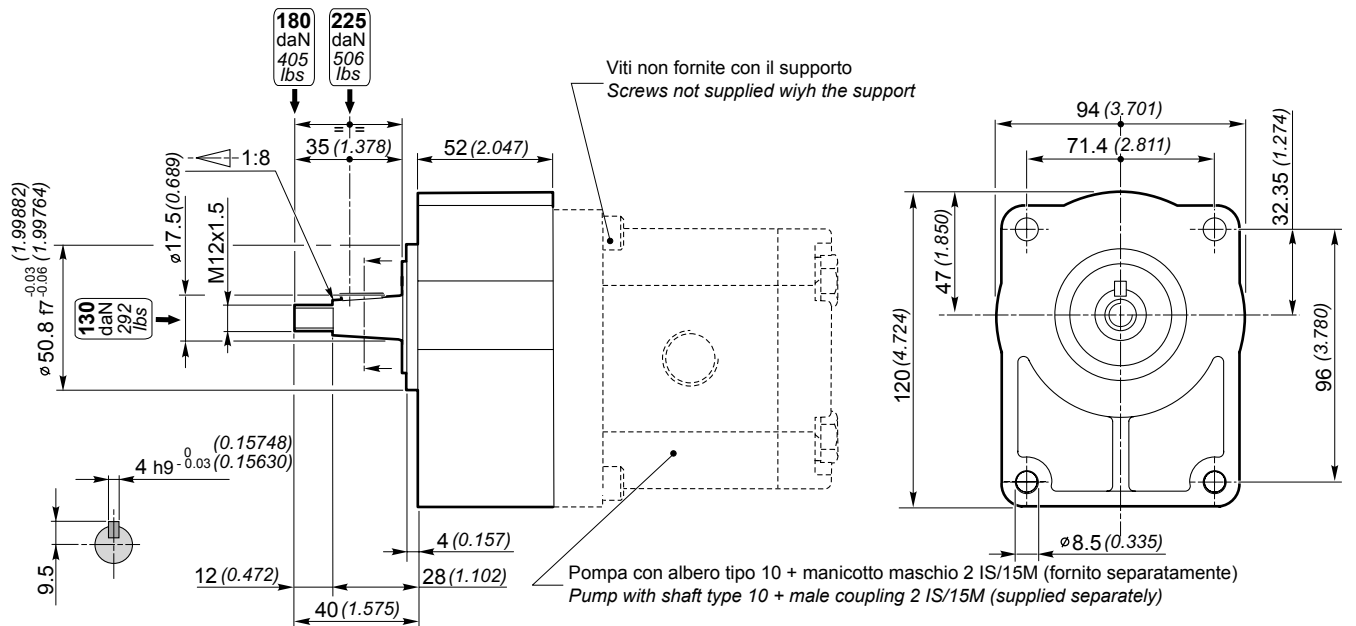
SUPPORTO RINFORZATO CON ALBERO TIPO 12 / RENFORCED SUPPORT WITH SHAFT TYPE 12



Codice di ordinazione / Order code

01521300000000

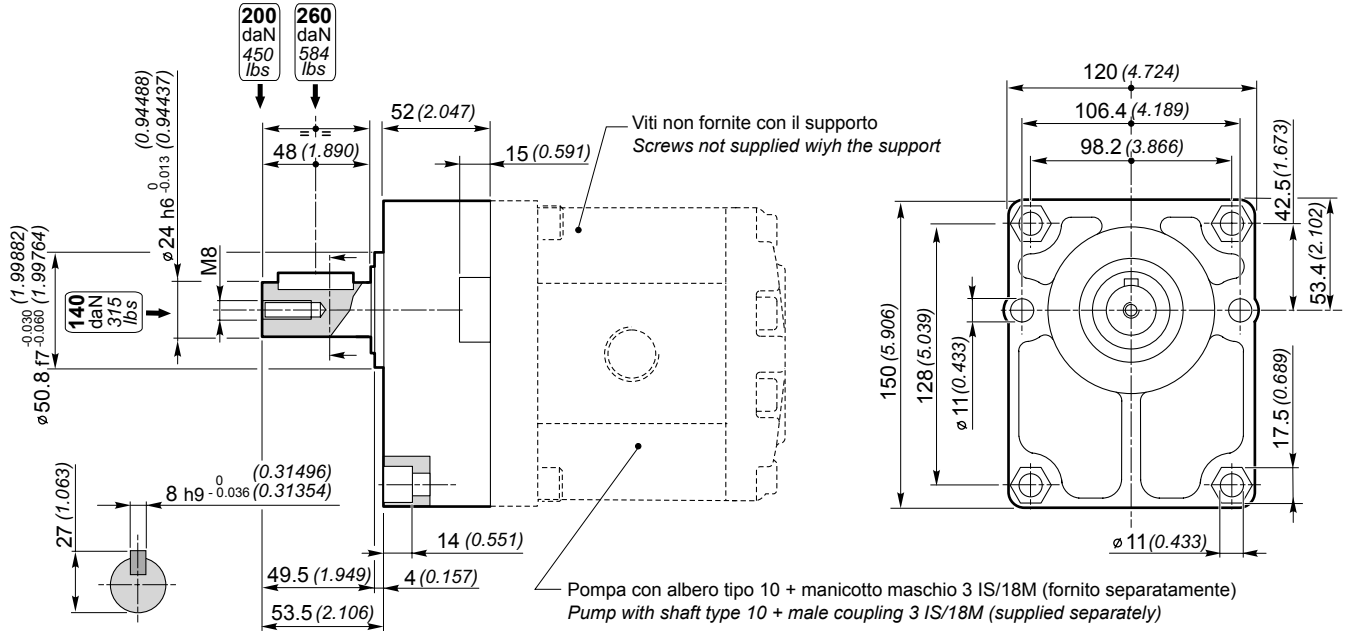
SUPPORTO RINFORZATO CON ALBERO TIPO 10 / RENFORCED SUPPORT WITH SHAFT TYPE 10



Codice di ordinazione / Order code

01521301000000

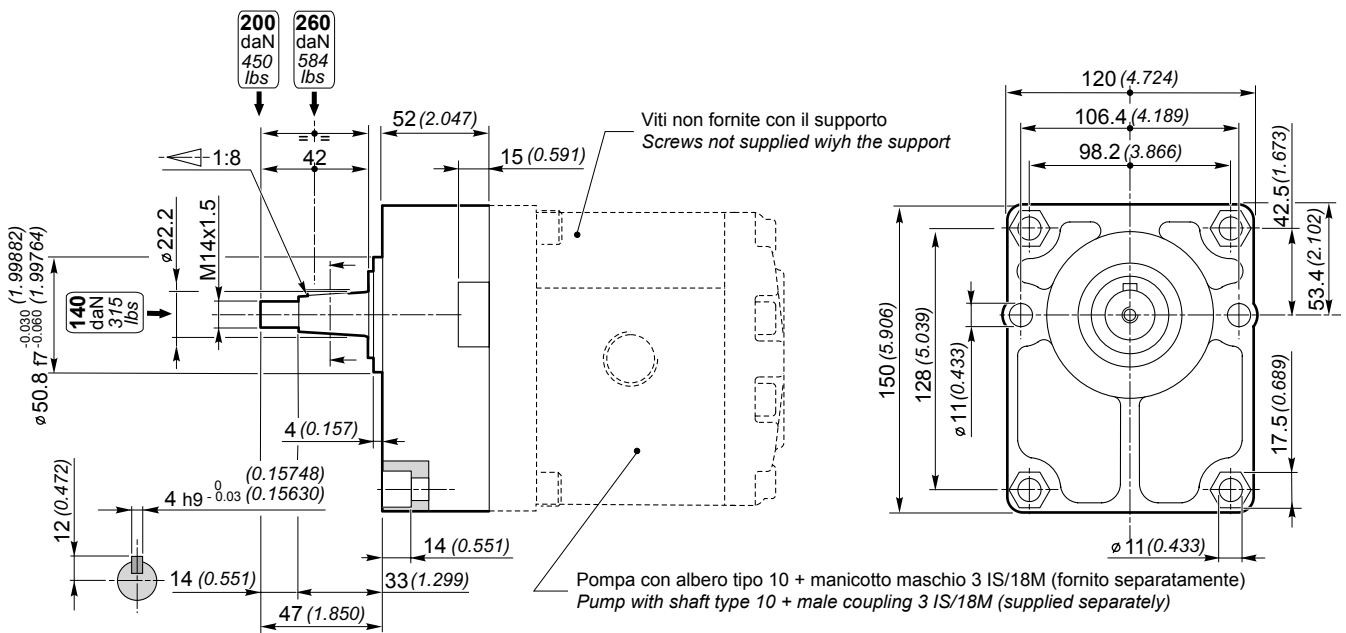
SUPPORTO CON ALBERO TIPO 12 / SUPPORT WITH SHAFT TYPE 12



Codice di ordinazione / Order code

01530210000000

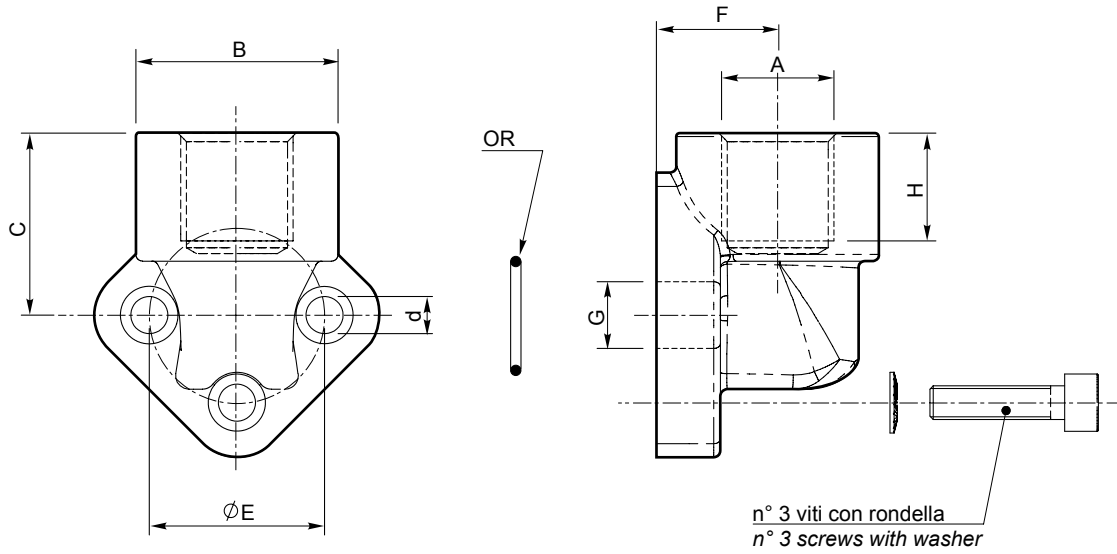
SUPPORTO CON ALBERO TIPO 10 / SUPPORT WITH SHAFT TYPE 10



Codice di ordinazione / Order code

01530220000000

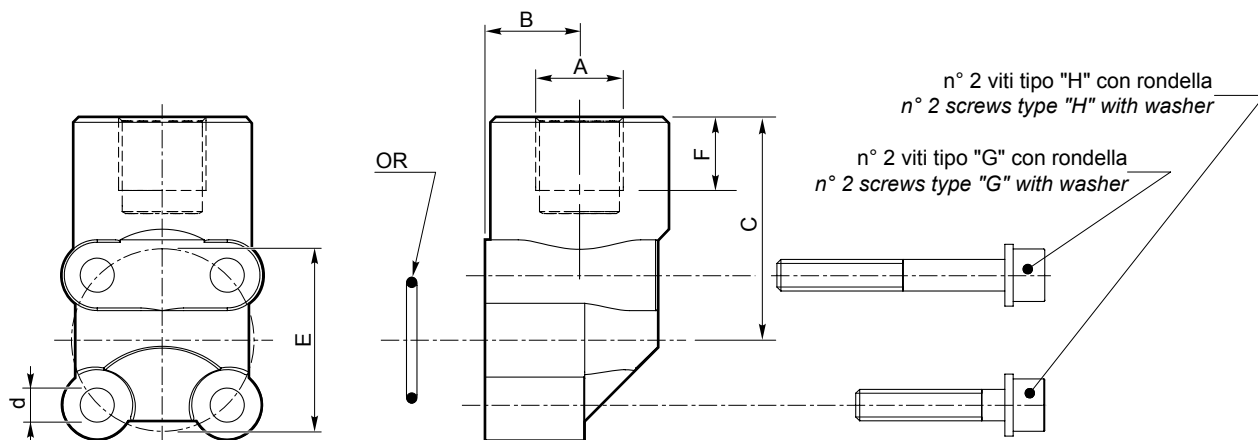
RACCORDI A GOMITO / ELBOW CONNECTORS
 (per connessioni tipo "N" / for connections type "N")



ACCIAIO / STEEL

Tipo Type	A	B	C	d	E	F	G	H
FG 3/8"- 26	3/8" BSP	30 (1.181)	27.5 (1.083)	5.5 (0.217)	26 (1.024)	17 (0.669)	11 (0.433)	12 (0.472)
FG 3/8"- 30	3/8" BSP	30 (1.181)	27.5 (1.083)	6.5 (0.256)	30 (1.181)	17 (0.669)	12 (0.472)	12 (0.472)
FG 1/2"- 30	1/2" BSP	30 (1.181)	27.5 (1.083)	6.5 (0.256)	30 (1.181)	17 (0.669)	12 (0.472)	12 (0.472)
FG 3/4"- 40	3/4" BSP	38 (1.496)	36 (1.417)	8.5 (0.335)	40 (1.575)	21 (0.817)	19 (0.748)	16 (0.630)
FG 1"- 51	1" BSP	45 (1.772)	47 (1.850)	10.5 (0.413)	51 (2.008)	26 (1.024)	25 (0.984)	18 (0.709)
FG 1"1/2"-72.5	1"1/2" BSP	63 (2.480)	56 (2.205)	13 (0.512)	72.5 (2.854)	34.5 (1.358)	40 (1.575)	24 (0.945)

RACCORDI A GOMITO / ELBOW CONNECTORS (per connessioni tipo "T" / for connections type "T")



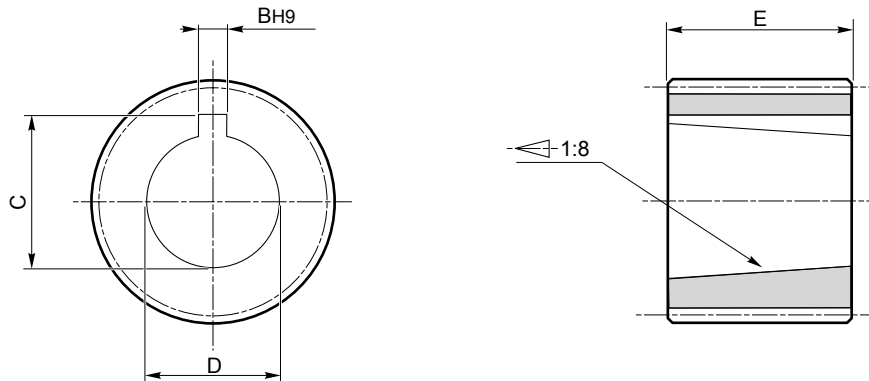
ACCIAIO / STEEL

Tipo Type	A	B	C	d	E	F	OR	Viti tipo "H" Screws type "H"	Viti tipo "G" Screws type "G"
FG 3/8" 0.5 BKA	3/8" BSP	18 (0.709)	40 (1.575)	6.5 (0.256)	30 (1.181)	16 (0.630)	15.88 x 2.62	M6x35 UNI 5931	M6x45 UNI 5931
FG 1/2" 0.5 BKA	1/2" BSP	18 (0.709)	40 (1.575)	6.5 (0.256)	30 (1.181)	16 (0.630)	15.88 x 2.62	M6x35 UNI 5931	M6x45 UNI 5931
FG 3/8" 1 BKA	3/8" BSP	18 (0.709)	40 (1.575)	6.5 (0.256)	35 (1.378)	16 (0.630)	18.72 x 2.62	M6x20 UNI 5931	M6x35 UNI 5931
FG 1/2" 1 BKA	1/2" BSP	18 (0.709)	40 (1.575)	6.5 (0.256)	35 (1.378)	16 (0.630)	18.72 x 2.62	M6x20 UNI 5931	M6x35 UNI 5931
FG 1/2" 2 BKA	1/2" BSP	24 (0.945)	41.5 (1.634)	6.5 (0.256)	40 (1.575)	16 (0.630)	23.81 x 2.62	M6x20 UNI 5931	M6x45 UNI 5931
FG 3/4" 2 BKA	3/4" BSP	24 (0.945)	41.5 (1.634)	6.5 (0.256)	40 (1.575)	16 (0.630)	23.81 x 2.62	M6x20 UNI 5931	M6x45 UNI 5931

ALLUMINIO / ALUMINIUM

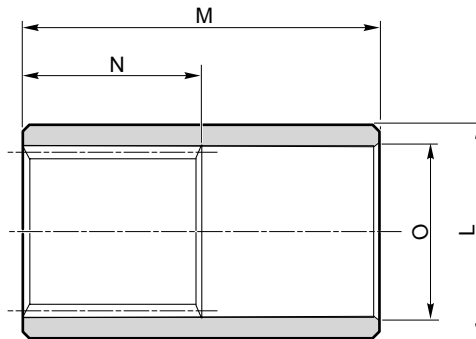
Tipo Type	A	B	C	d	E	F	OR	Viti tipo "H" Screws type "H"	Viti tipo "G" Screws type "G"
FG 3/8" 0.5 BKAL	3/8" BSP	18 (0.709)	40 (1.575)	6.5 (0.256)	30 (1.181)	14 (0.551)	15.88 x 2.62	M6x30 UNI 5931	M6x45 UNI 5931
FG 1/2" 0.5 BKAL	1/2" BSP	18 (0.709)	40 (1.575)	6.5 (0.256)	30 (1.181)	14 (0.551)	15.88 x 2.62	M6x30 UNI 5931	M6x45 UNI 5931
FG 3/8" 1 BKAL	3/8" BSP	18 (0.709)	40 (1.575)	6.5 (0.256)	35 (1.378)	16 (0.630)	18.72 x 2.62	M6x30 UNI 5931	M6x45 UNI 5931
FG 1/2" 1 BKAL	1/2" BSP	18 (0.709)	40 (1.575)	6.5 (0.256)	35 (1.378)	16 (0.630)	18.72 x 2.62	M6x30 UNI 5931	M6x45 UNI 5931
FG 1/2" 2 BKAL	1/2" BSP	24 (0.945)	41.5 (1.634)	6.5 (0.256)	40 (1.575)	16 (0.630)	23.81 x 2.62	M6x35 UNI 5931	M6x55 UNI 5931
FG 3/4" 2 BKAL	3/4" BSP	24 (0.945)	41.5 (1.634)	6.5 (0.256)	40 (1.575)	16 (0.630)	23.81 x 2.62	M6x35 UNI 5931	M6x55 UNI 5931

MANICOTTO DI TRASCINAMENTO POMPE (MASCHIO) / MALE COUPLING FOR GEAR PUMPS



Tipo Type	Profilo Profile DIN 5482	N° di denti N° of teeth	B	C	D	E	Coppia di serraggio dado giunto Nut/joint screw tightening torque [Nm]
1 IS/12M	B20 x 17	12	2.4 ^{+0.025} ₀ (0.094) ^{+0.00098} ₀	9.6 (0.378)	7.82 (0.308)	14.5 (0.571)	9 ÷ 10 (80 ÷ 89)
1 IS/14M	B25 x 22	14	2.4 ^{+0.025} ₀ (0.094) ^{+0.00098} ₀	9.6 (0.378)	7.82 (0.308)	14.5 (0.571)	9 ÷ 10 (80 ÷ 89)
2 IS/14M	B25 x 22	14	3.17 ^{+0.030} ₀ (0.125) ^{+0.00118} ₀	16.5 (0.650)	14.31 (0.563)	22 (0.866)	22 ÷ 25 (195 ÷ 221)
2 IS/15M	B28 x 25	15	3.17 ^{+0.030} ₀ (0.125) ^{+0.00118} ₀	15.8 (0.622)	14.31 (0.563)	22 (0.866)	32 ÷ 35 (283 ÷ 310)
3 IS/18M	B35 x 31	18	4 ^{+0.030} ₀ (0.157) ^{+0.00118} ₀	21 (0.827)	18.39 (0.724)	26 (1.024)	50 ÷ 55 (443 ÷ 487)
4 IS/23M	B48 x 44	23	6.35 ^{+0.036} ₀ (0.250) ^{+0.00142} ₀	30.2 (1.189)	27.50 (1.083)	42 (1.654)	100 ÷ 120 (885 ÷ 1062)

MANICOTTO DI TRASCINAMENTO POMPE (FEMMINA) / FEMALE COUPLING FOR GEAR PUMPS



Tipo Type	Profilo Profile DIN 5482	N° di denti N° of teeth	L	M	N	O
1 IS/12F	A20 x 17	12	25 (0.984)	50 (1.969)	25 (0.984)	20.5 (0.807)
2 IS/14F	A25 x 22	14	32 (1.260)	60 (2.362)	30 (1.181)	25.5 (1.004)
2 IS/15F	A28 x 25	15	34 (1.339)	60 (2.362)	30 (1.181)	28.5 (1.122)
3 IS/18F	A35 x 31	18	42 (1.654)	60 (2.362)	30 (1.181)	35.5 (1.398)
4 IS/23F	A48 x 44	23	62 (2.441)	90 (3.543)	45 (1.772)	48.5 (1.909)